

Wipers

for cam roller linear guide rails GN 2422

SPECIFICATION

Types

- Type **U**: For floating bearing rails
- Type **X**: For fixed bearing rails

Wiper

Plastic PUR, gray

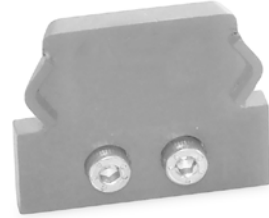
Bracing core

Steel, zinc plated

Cylinder head screw DIN 912

Steel

Zinc plated, blue passivated

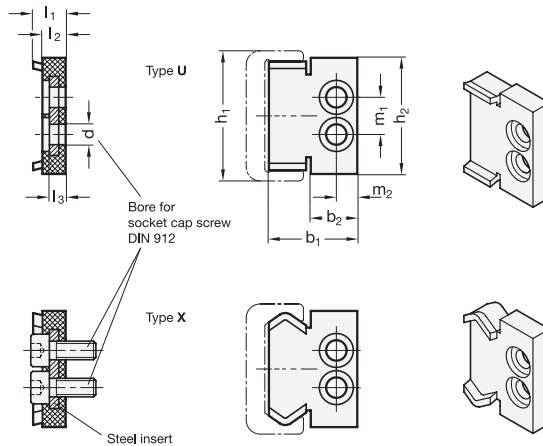


INFORMATION

Wipers GN 2428 protect against dirt deposits on rails and rollers.
For size $h_1 = 18$ the wiper is attached with only one central screw.

Screws are included parts of the order.

- Linear guide rail systems (see page 660)



GN 2428-U

Description	h_1	b_1	b_2	d	h_2	l_1	l_2	l_3 max.	m_1	m_2	
GN 2428-18-U	18	12.6	5.6	M 3	17	7	5	3.5	-	3.5	2
GN 2428-28-U	28	19	10	M 4	25	7	5	3.5	8	4.5	5
GN 2428-35-U	35	25.5	12.5	M 4	32	7	5	3.5	10	5.5	10
GN 2428-43-U	43	32.2	15	M 4	40	7	5	3.5	12	7.5	16

GN 2428-X

Description	h_1	b_1	b_2	d	h_2	l_1	l_2	l_3 max.	m_1	m_2	
GN 2428-18-X	18	12.6	5.6	M 3	17	7	5	3.5	-	3.5	2
GN 2428-28-X	28	19	10	M 4	25	7	5	3.5	8	4.5	5
GN 2428-35-X	35	25.5	12.5	M 4	32	7	5	3.5	10	5.5	10
GN 2428-43-X	43	32.2	15	M 4	40	7	5	3.5	12	7.5	16